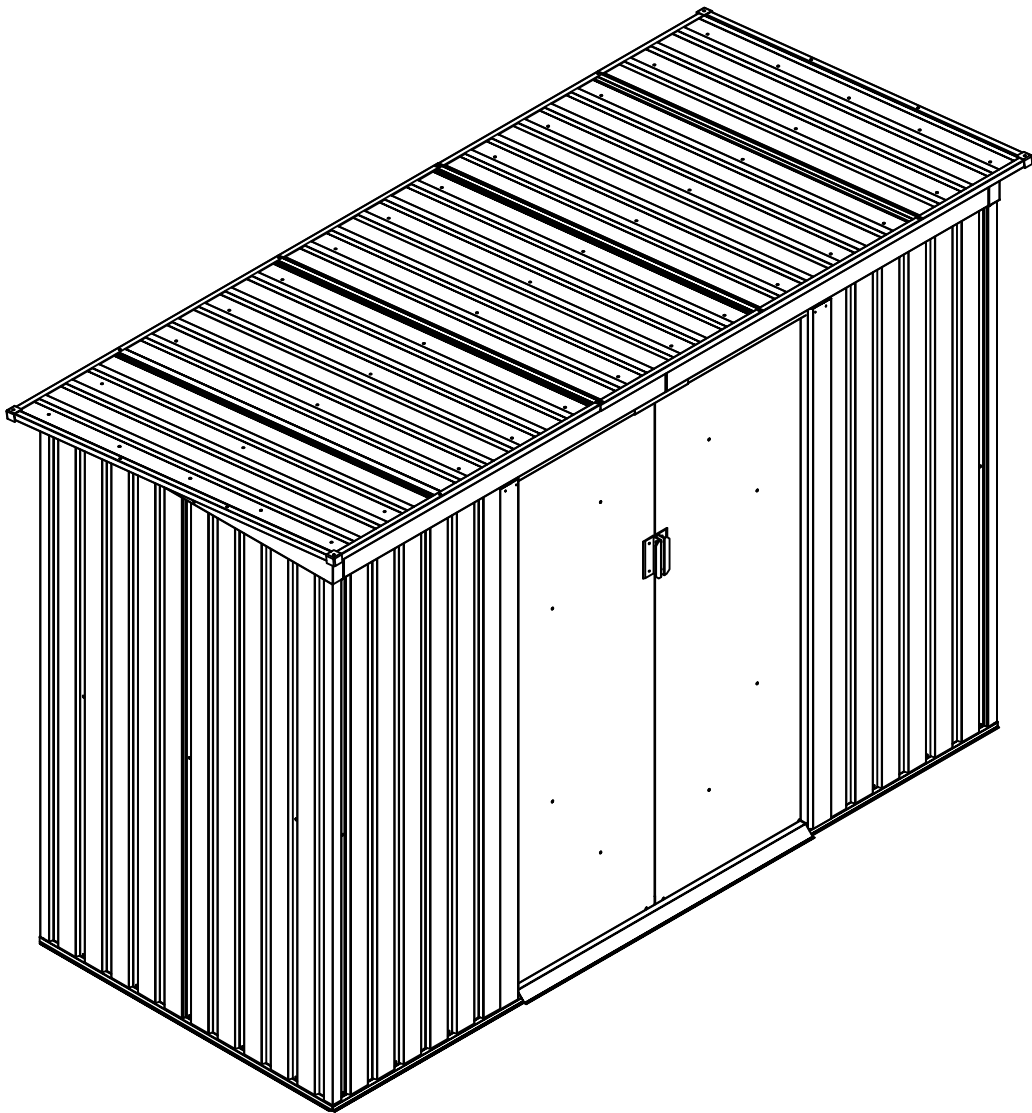


Metal Shed

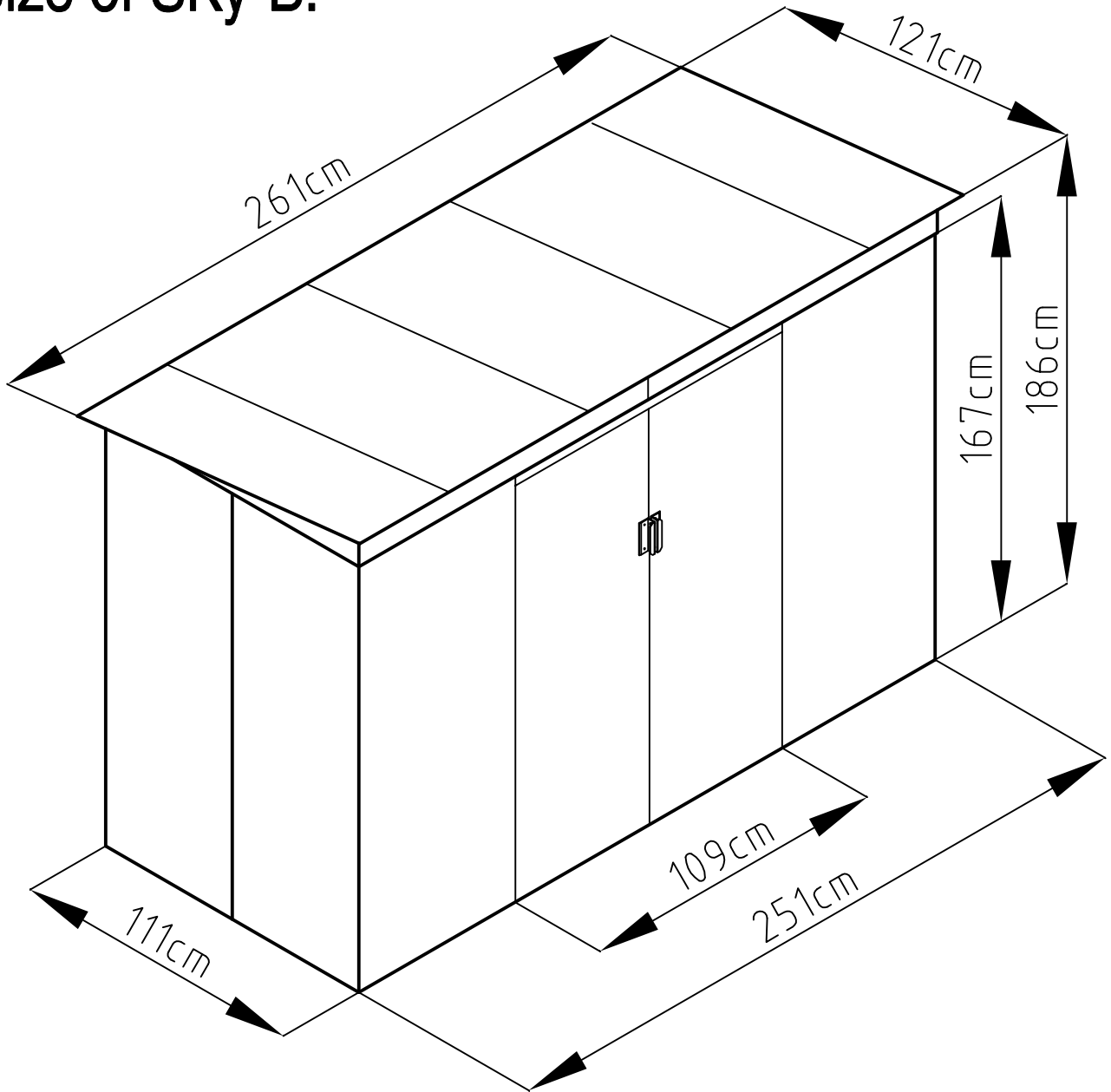
12/24/2019

OWNER'S MANUAL / Instructions for Assembly Sky-B

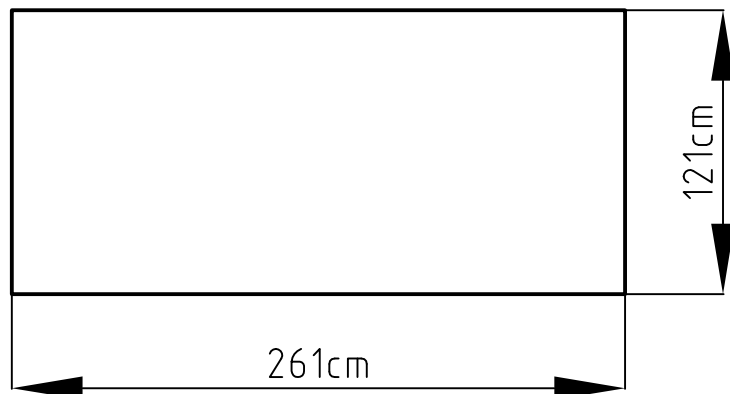


Requires two people and takes 1-2 hours for Installation.

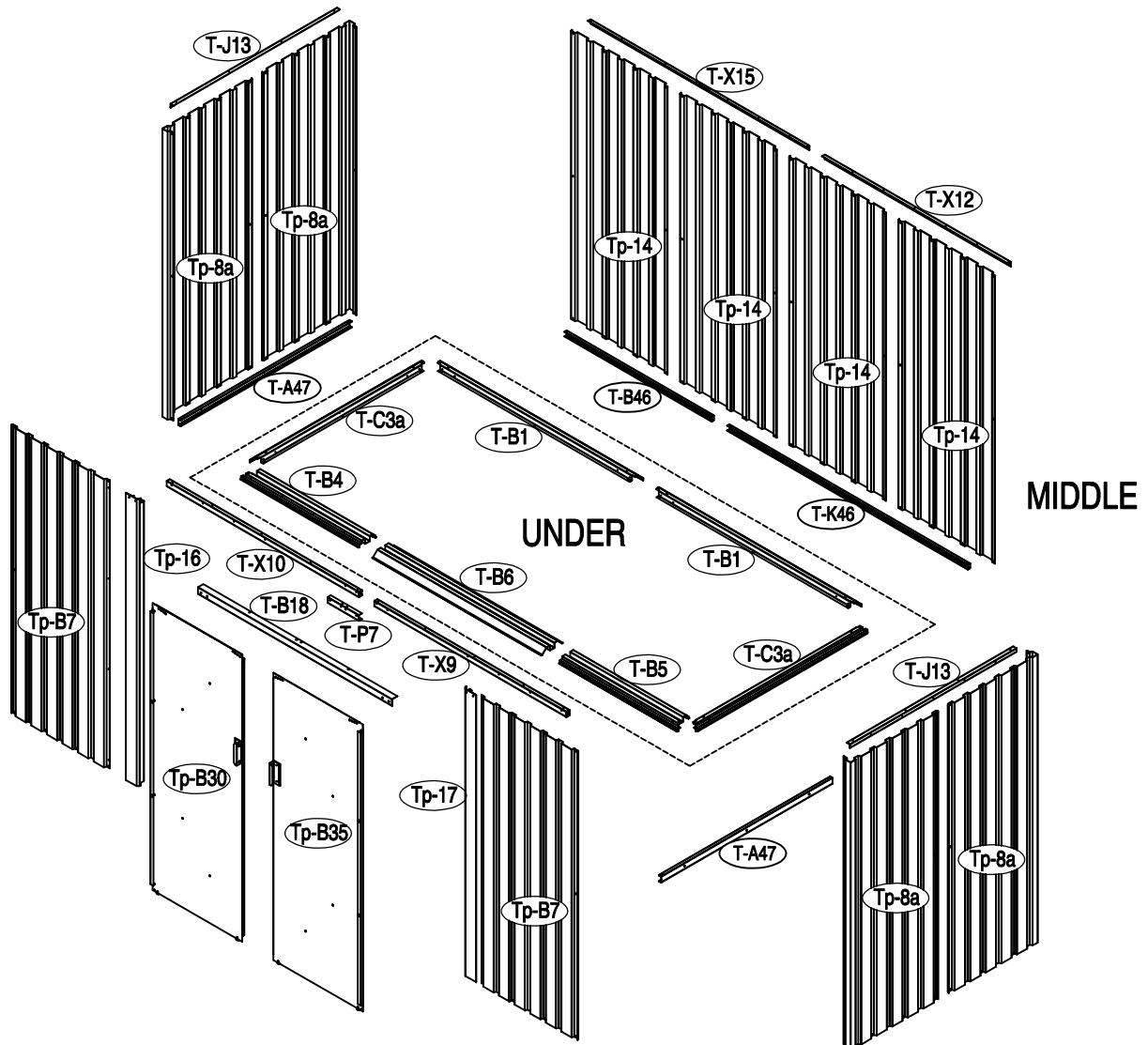
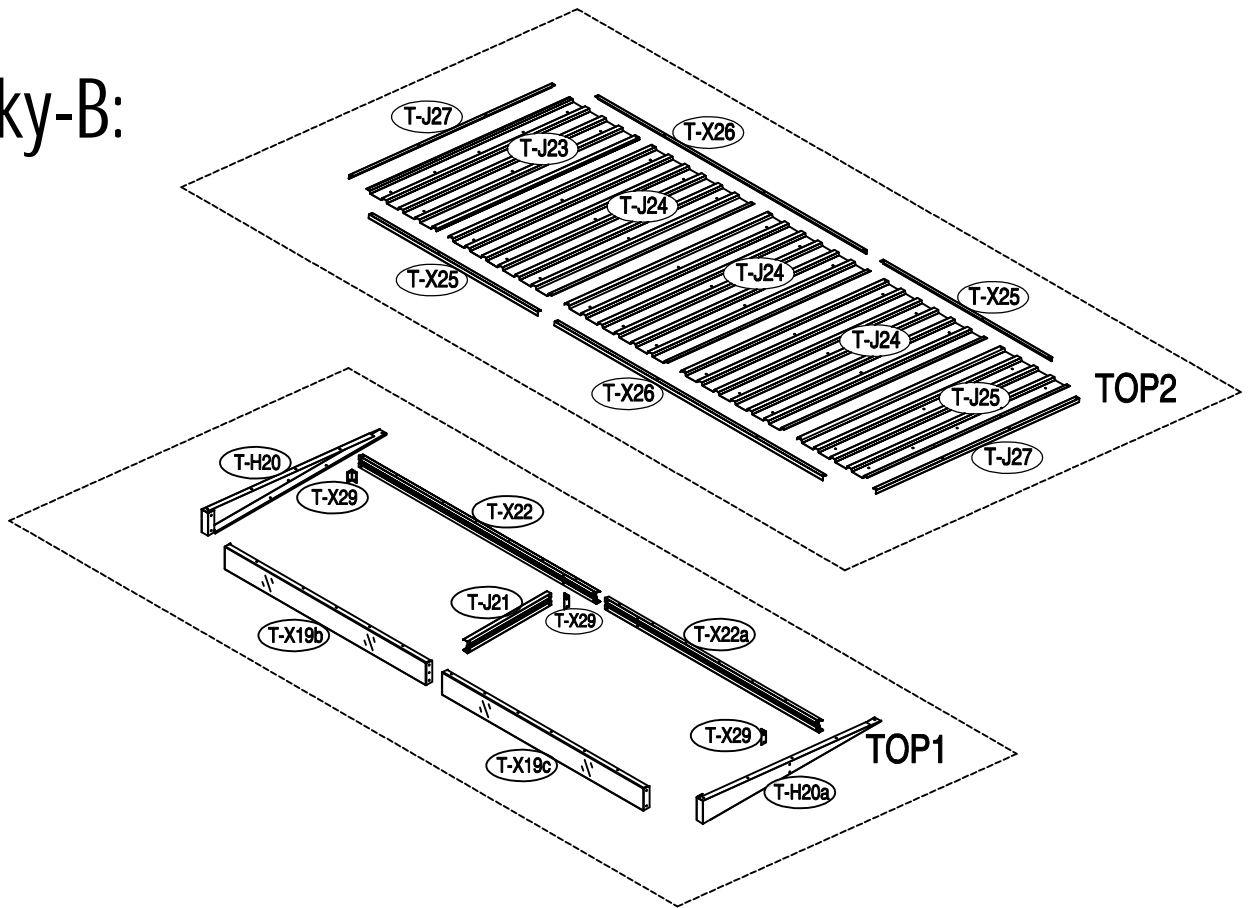
Size of SKy-B:



Area of installation requirement:



Sky-B:



NOTE:It is important that these instructions are followed step by step.

Metal Shed must be installed on a level wooden platform or a level concrete foundation

Wooden platform is extra and is not included.
Don't install under windy conditions.

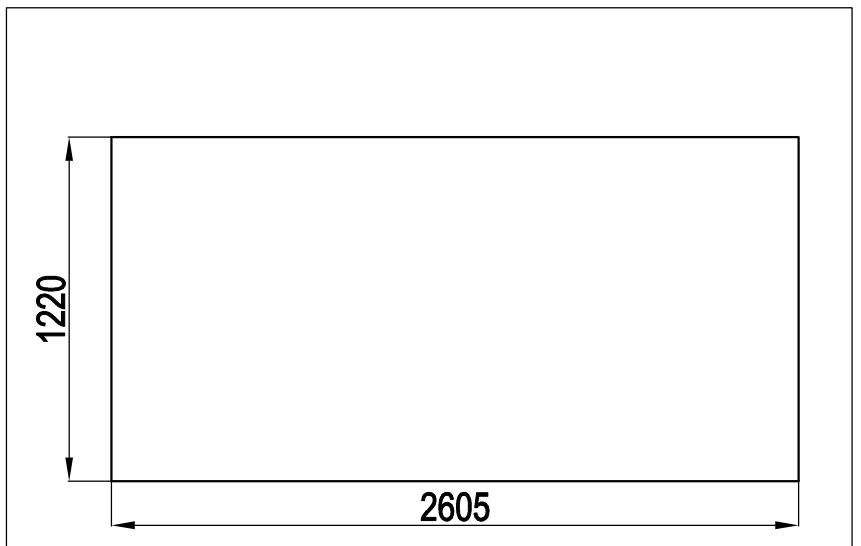
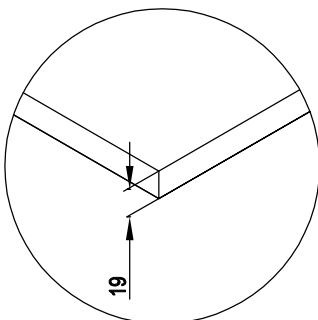
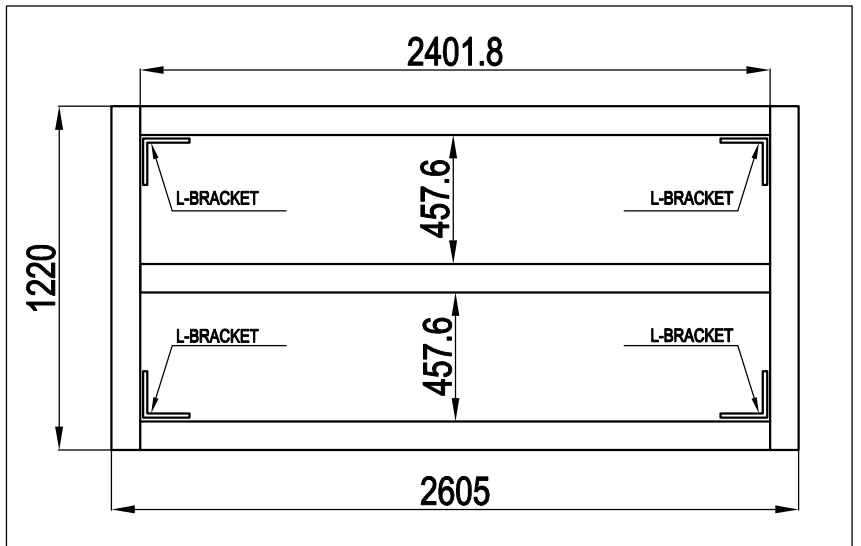
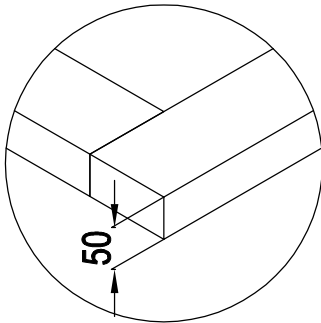
We recommend to clear your metal shed of snow after each snowfall.

Wooden Platform

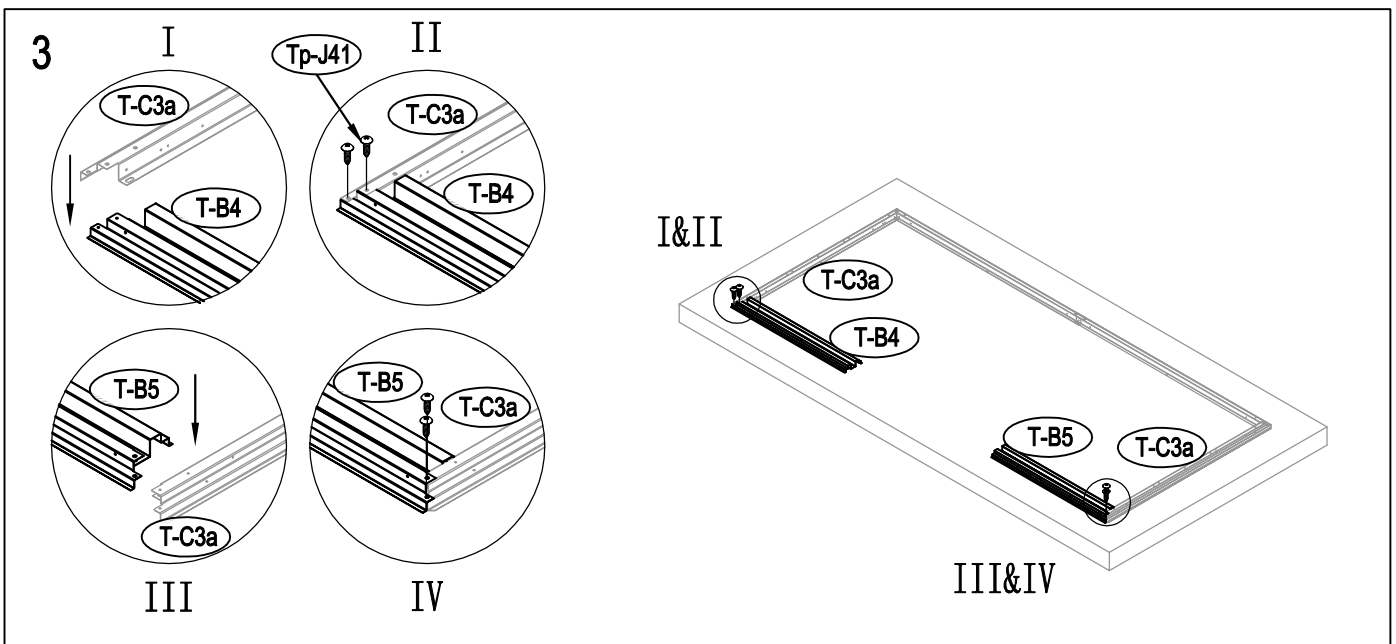
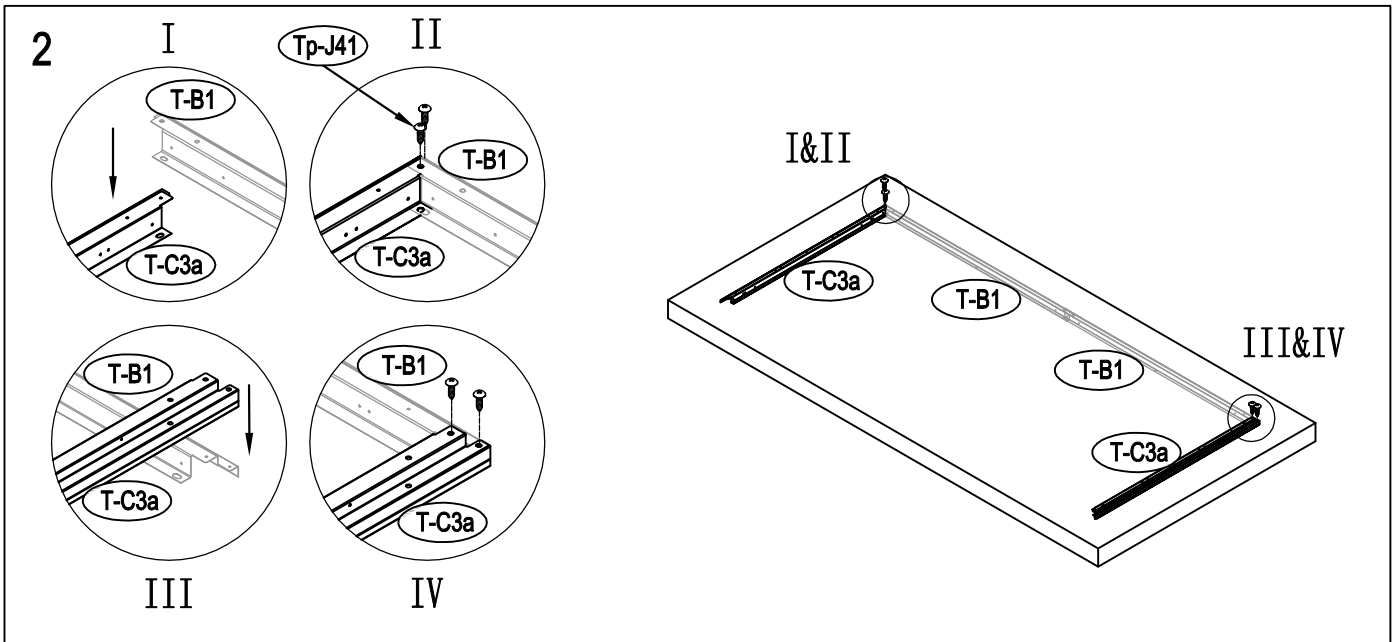
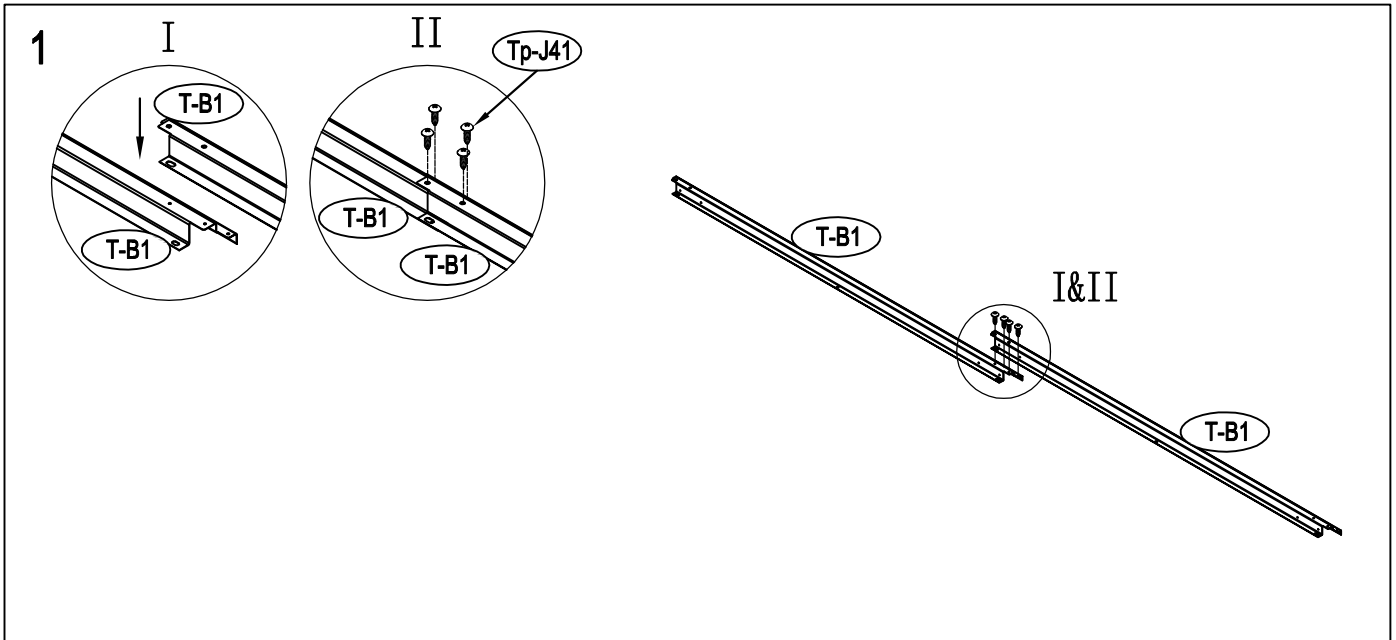
The following are a list of lumber and sizes you will need.

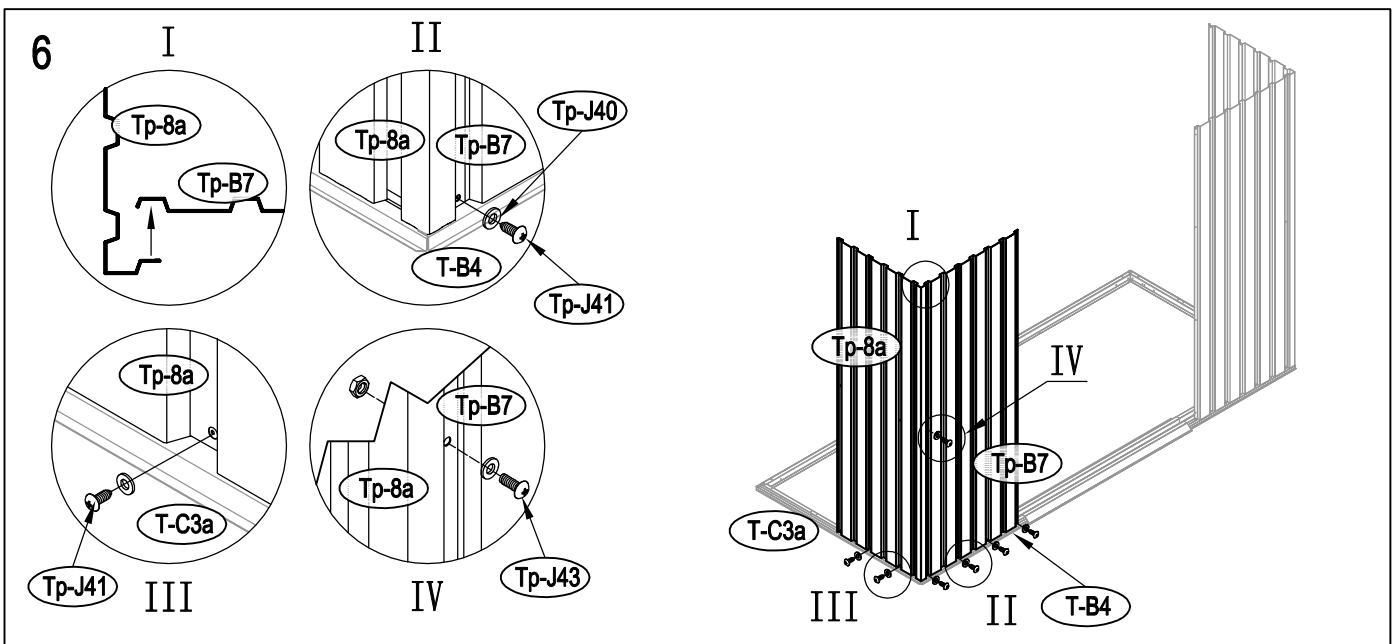
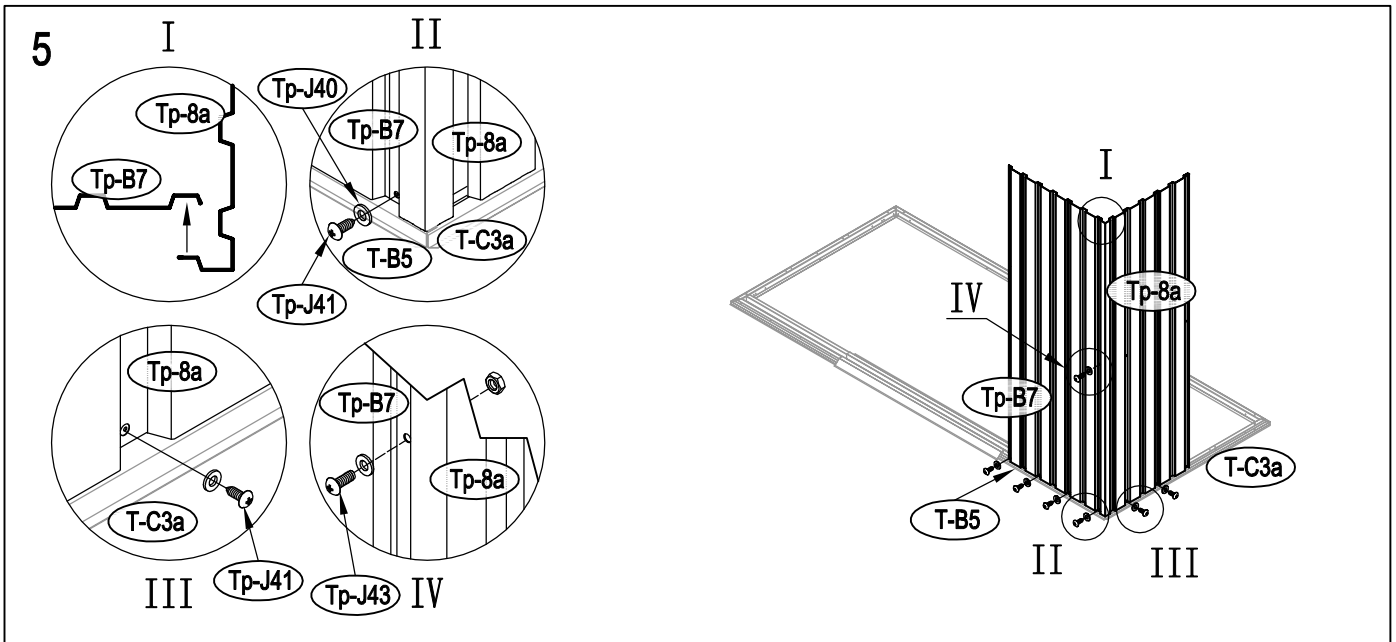
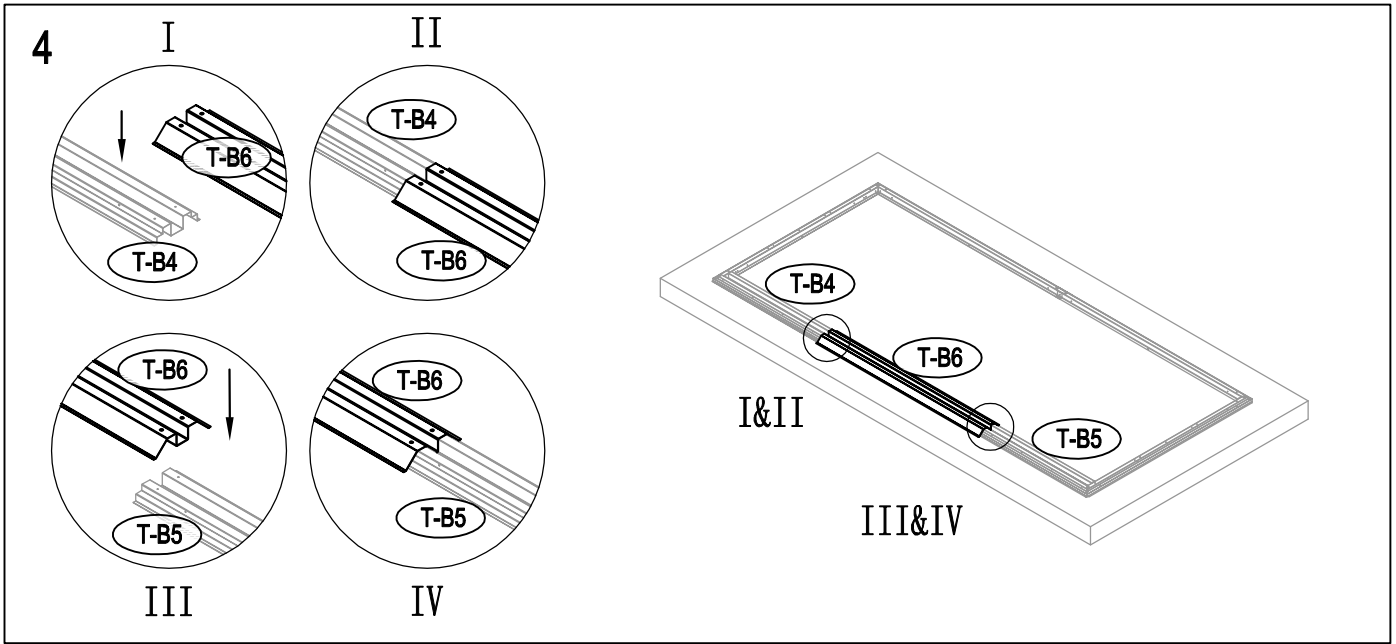
- Pressure Treated-Wood Studs:
50mmX101.6mmX1220mm.....(2)
50mmX101.6mmX2401.8mm.....(3)

- Exterior Grade (CDX-19mm) plywood
19mmX1220mmX2605mm.....(1)

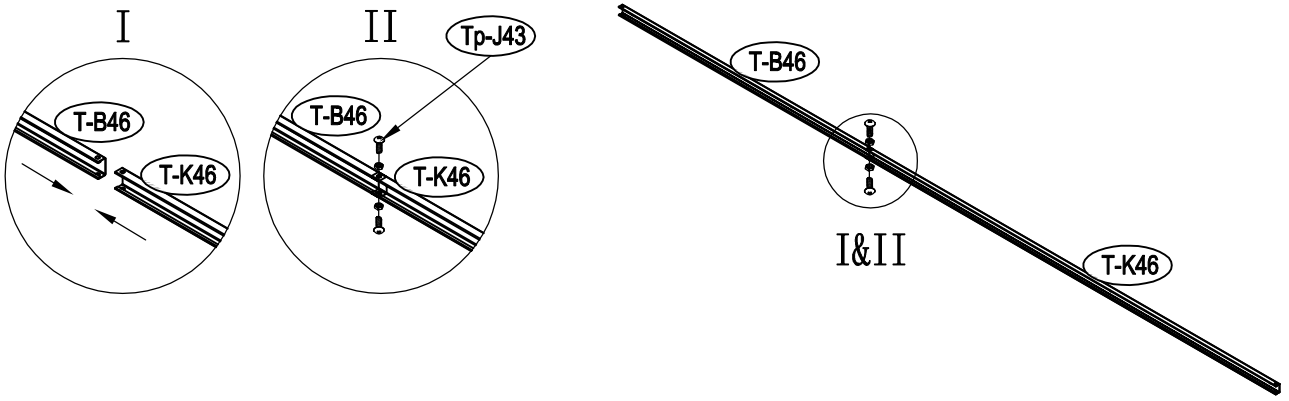


Important: Use hand gloves to prevent injury.

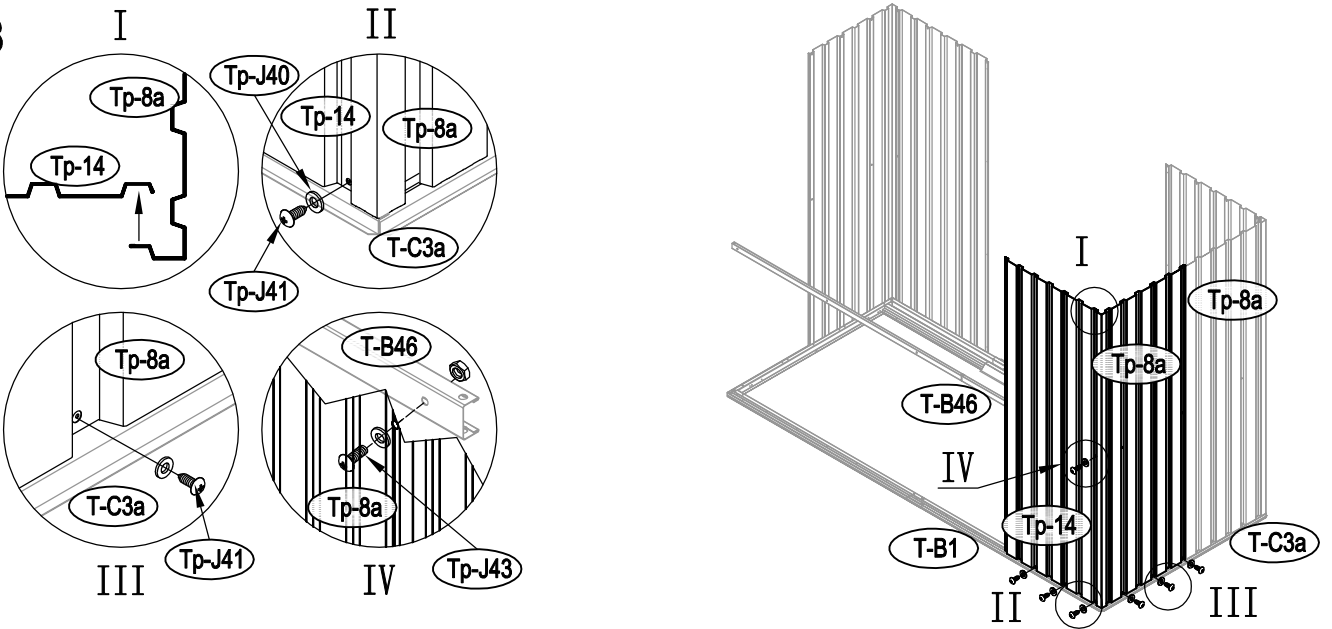




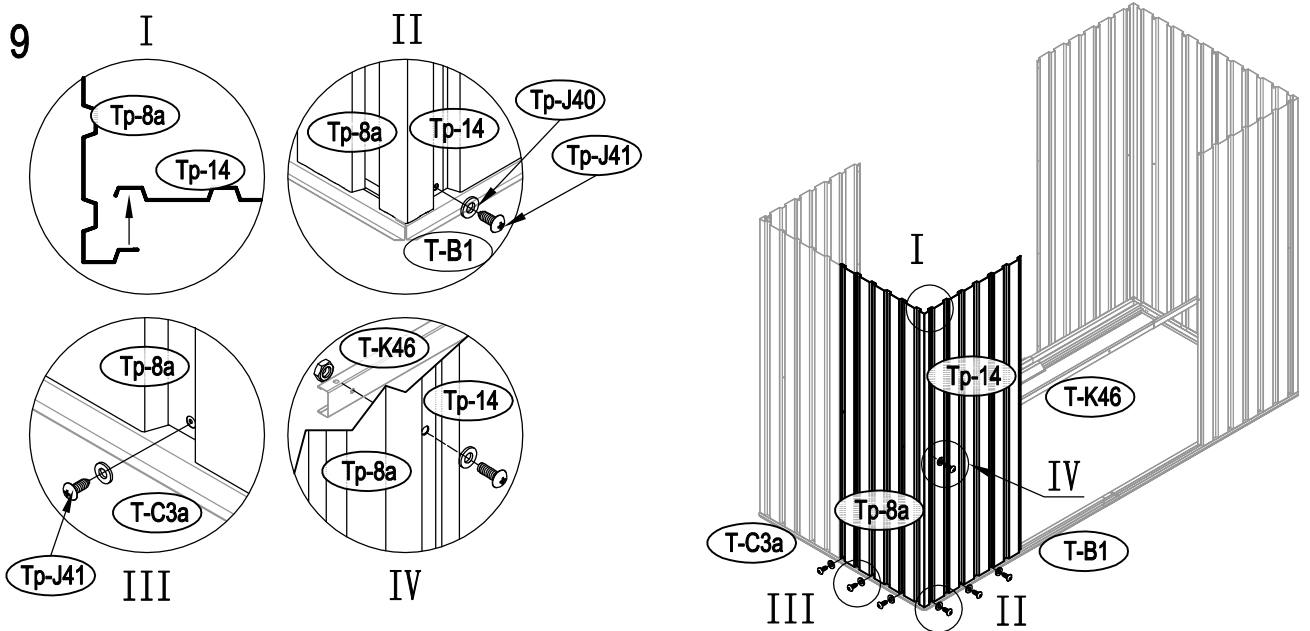
7

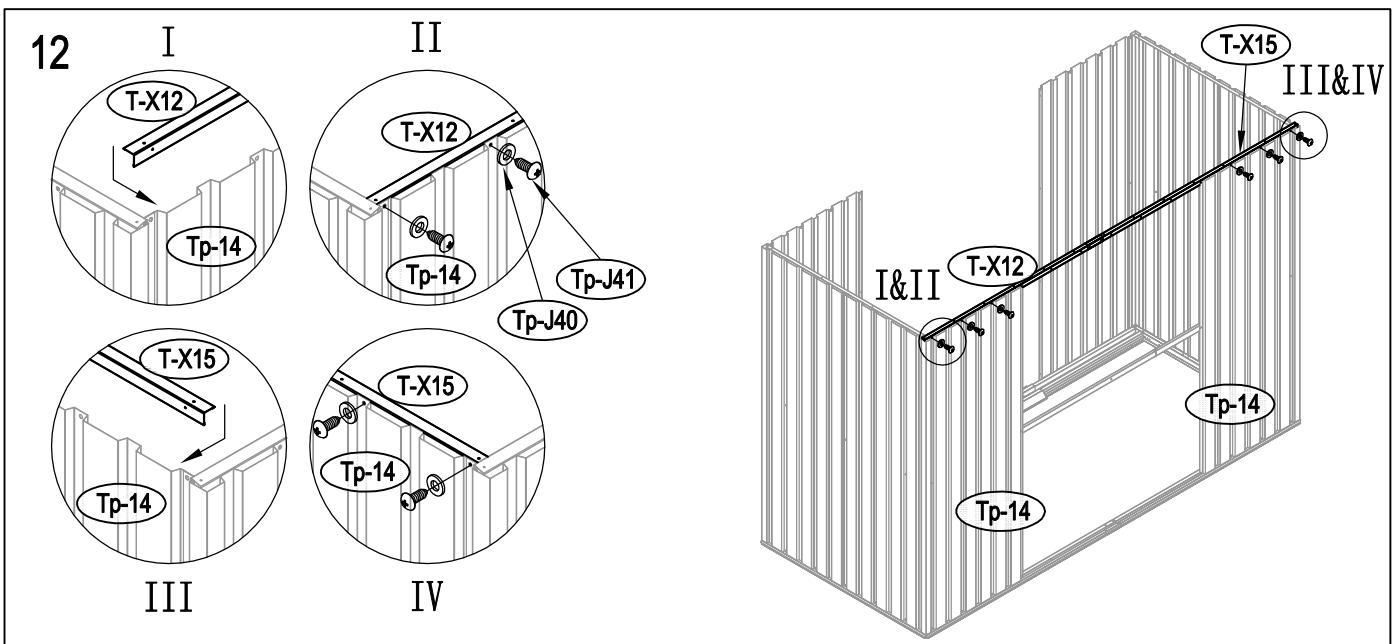
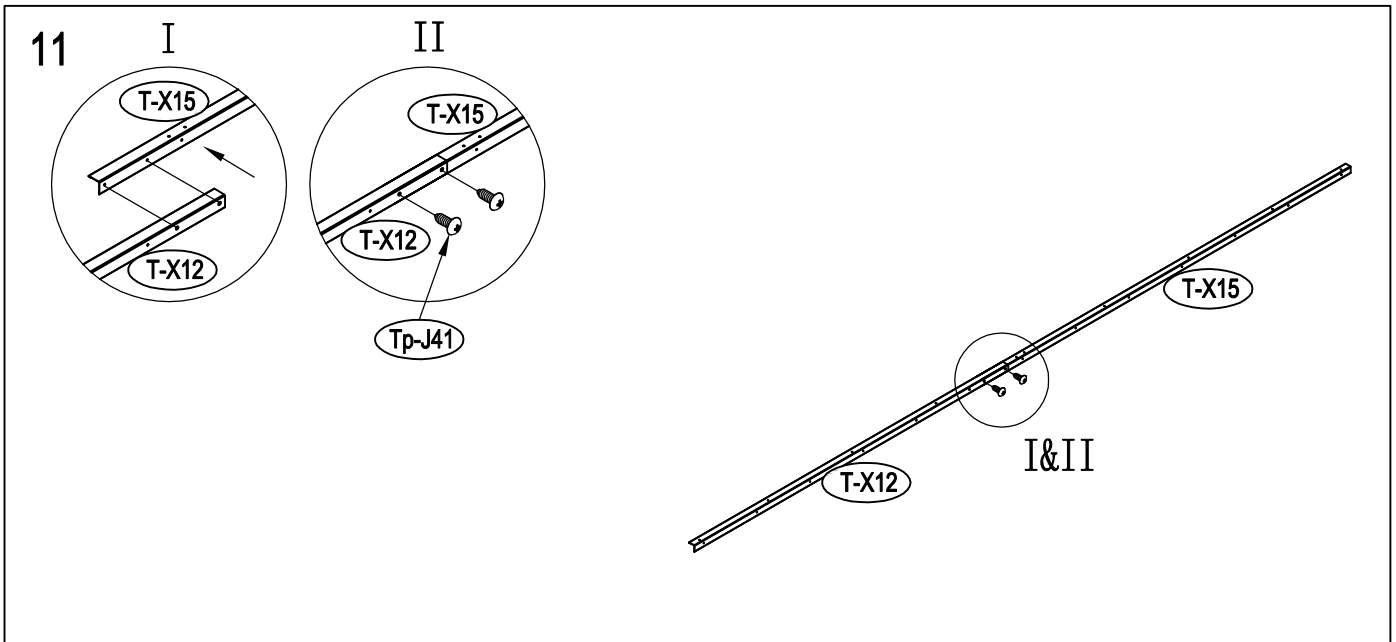
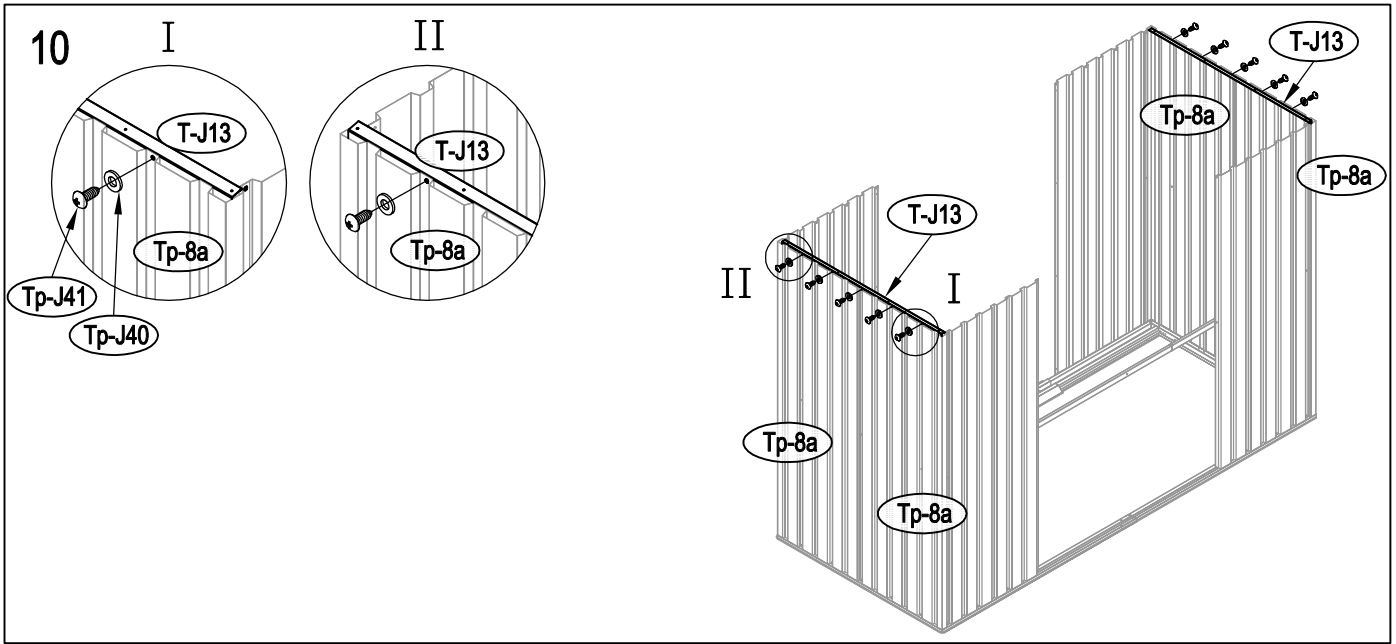


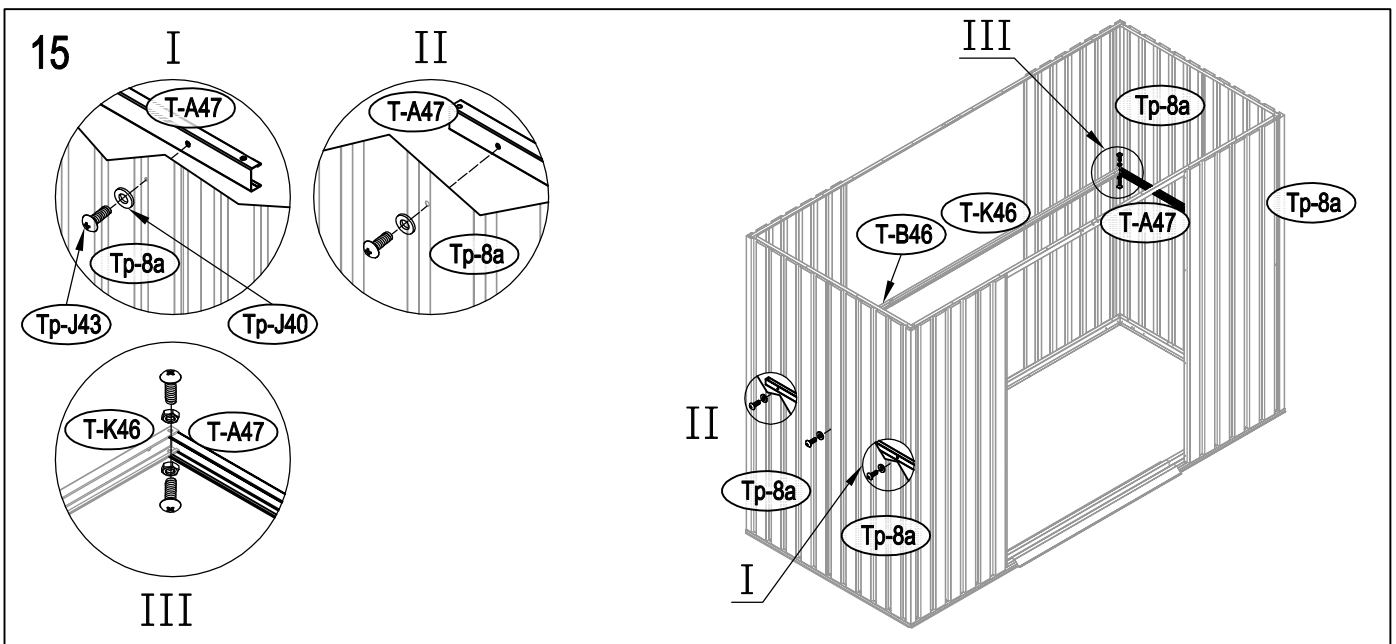
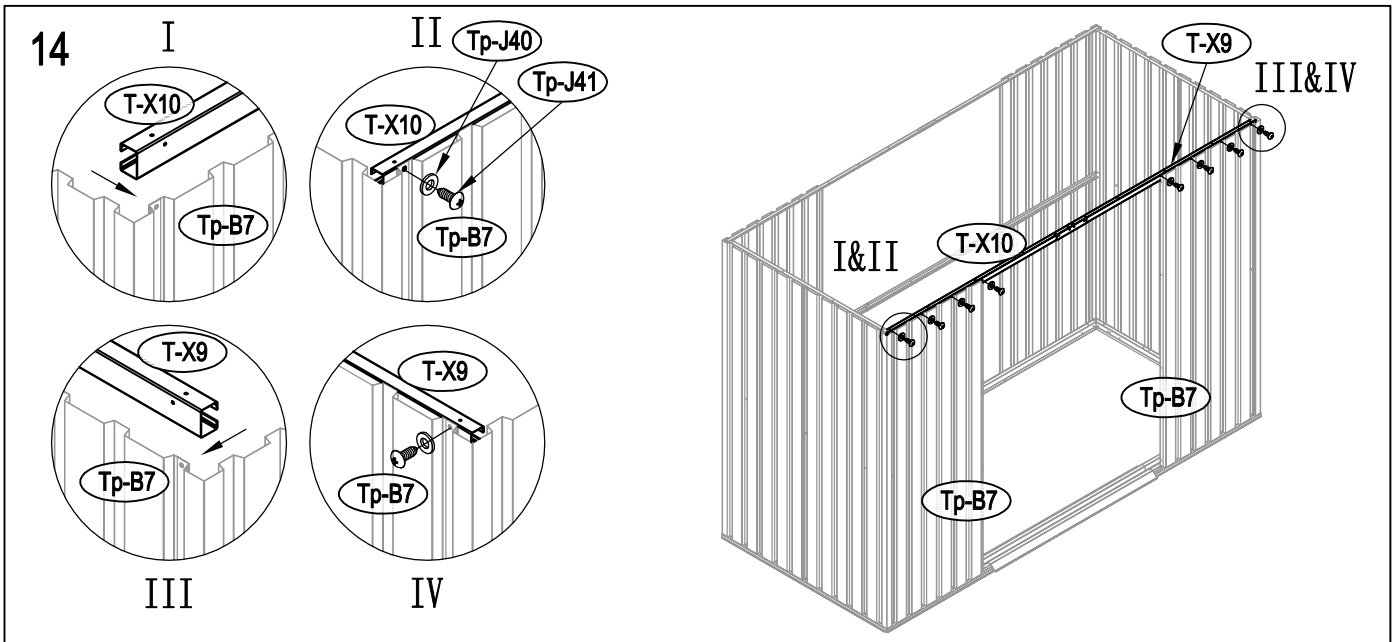
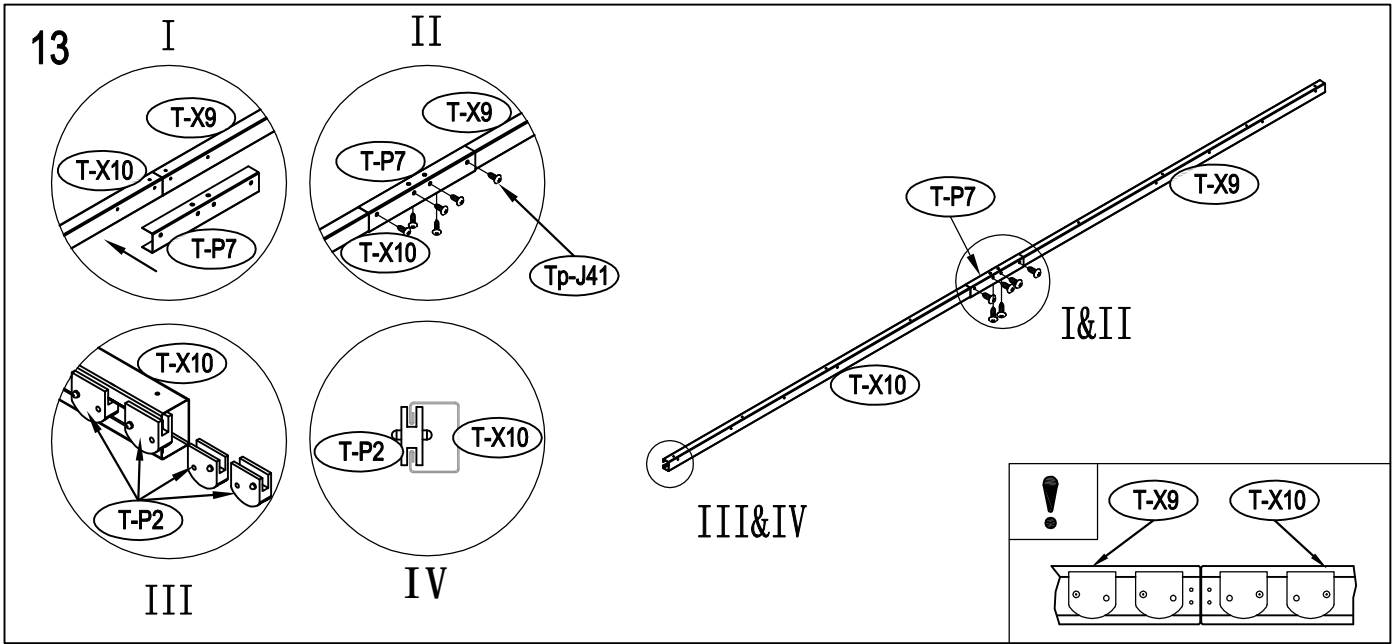
8

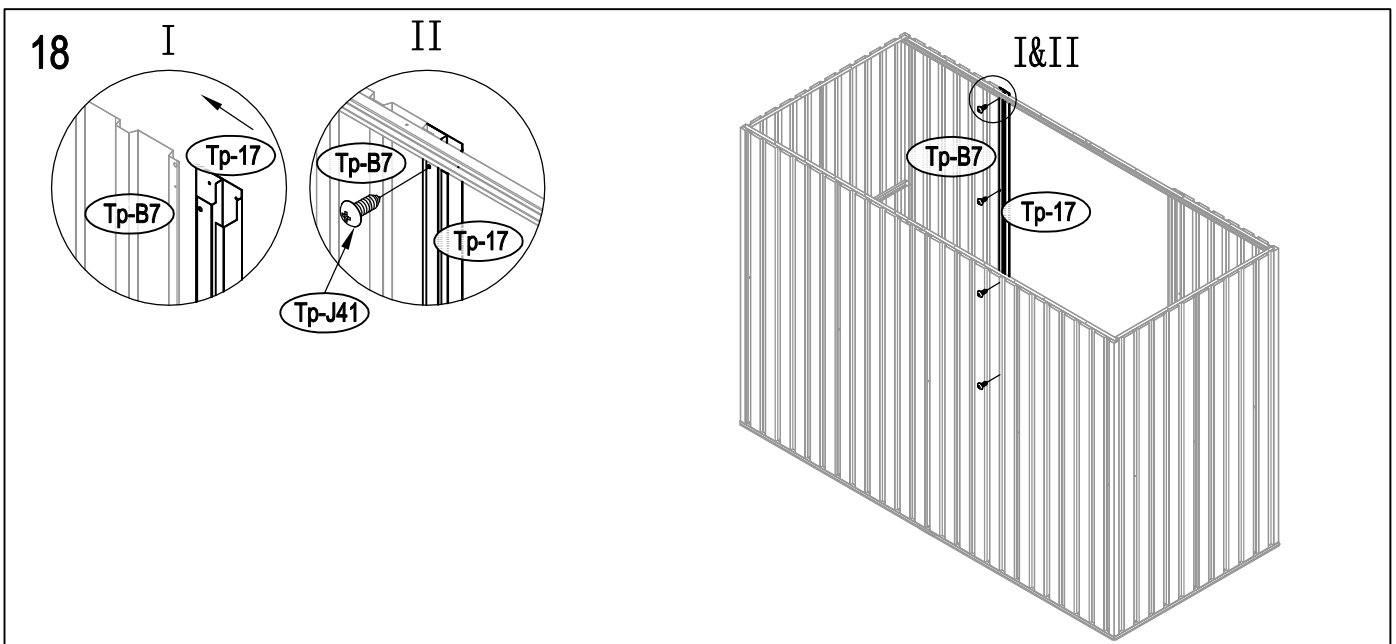
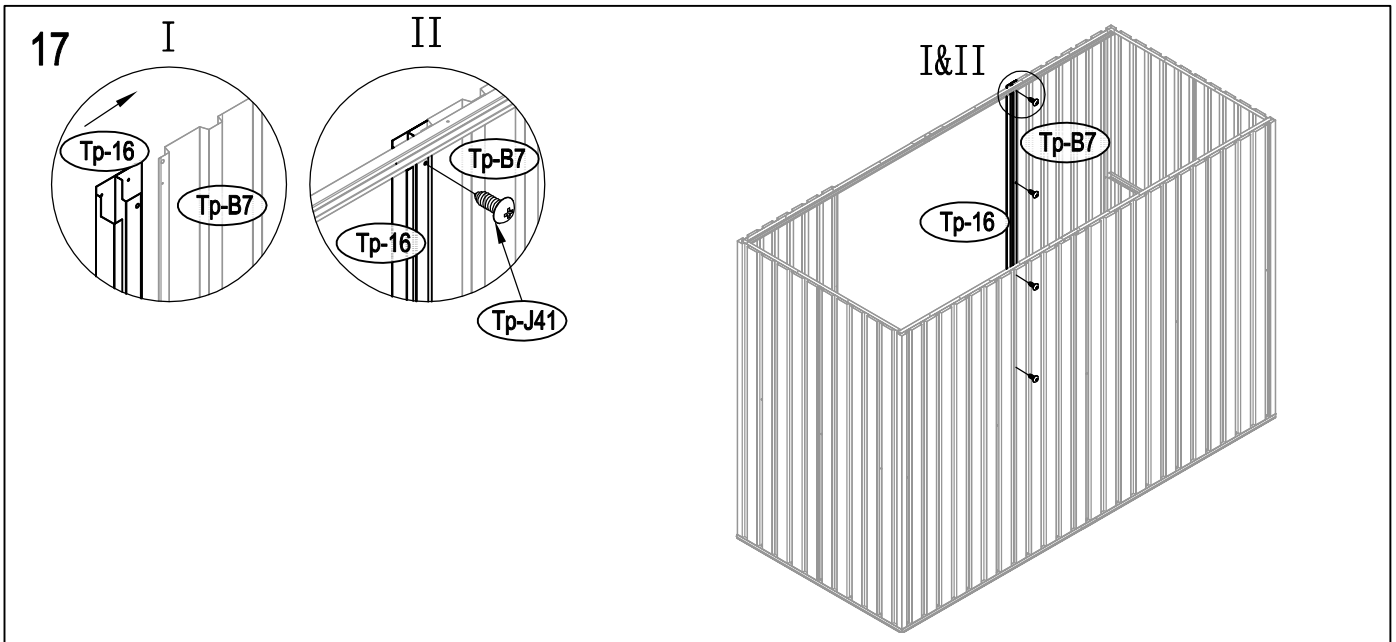
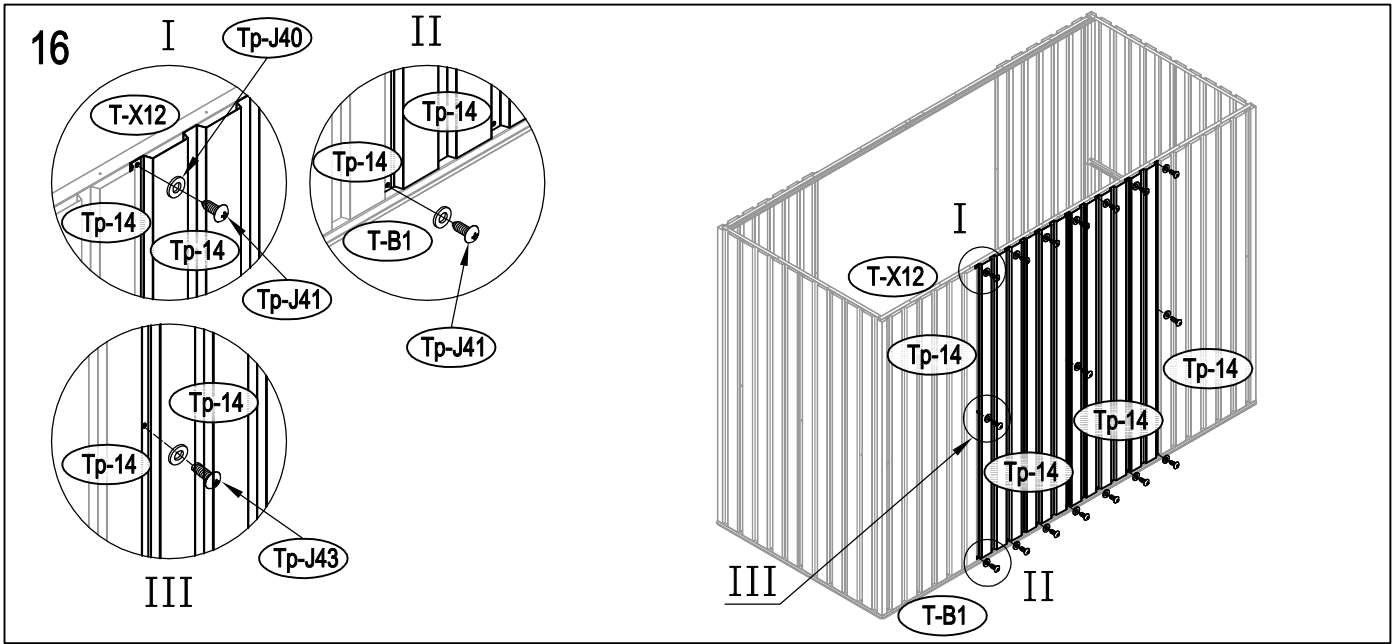


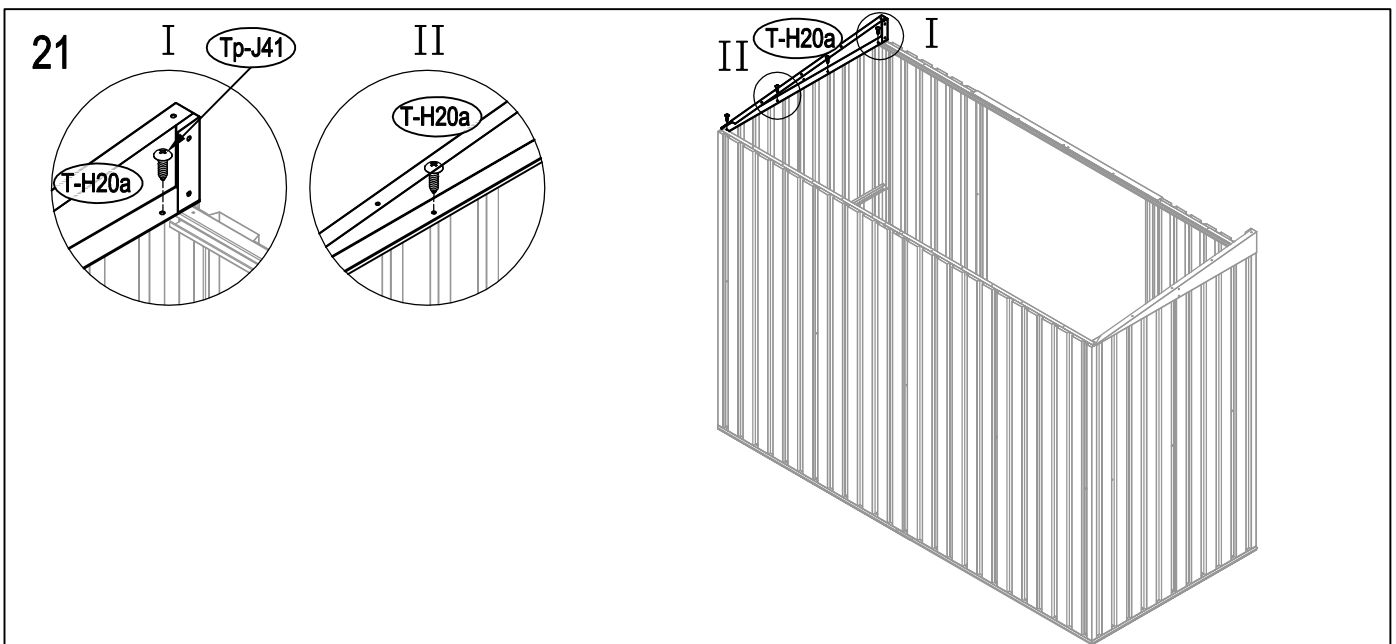
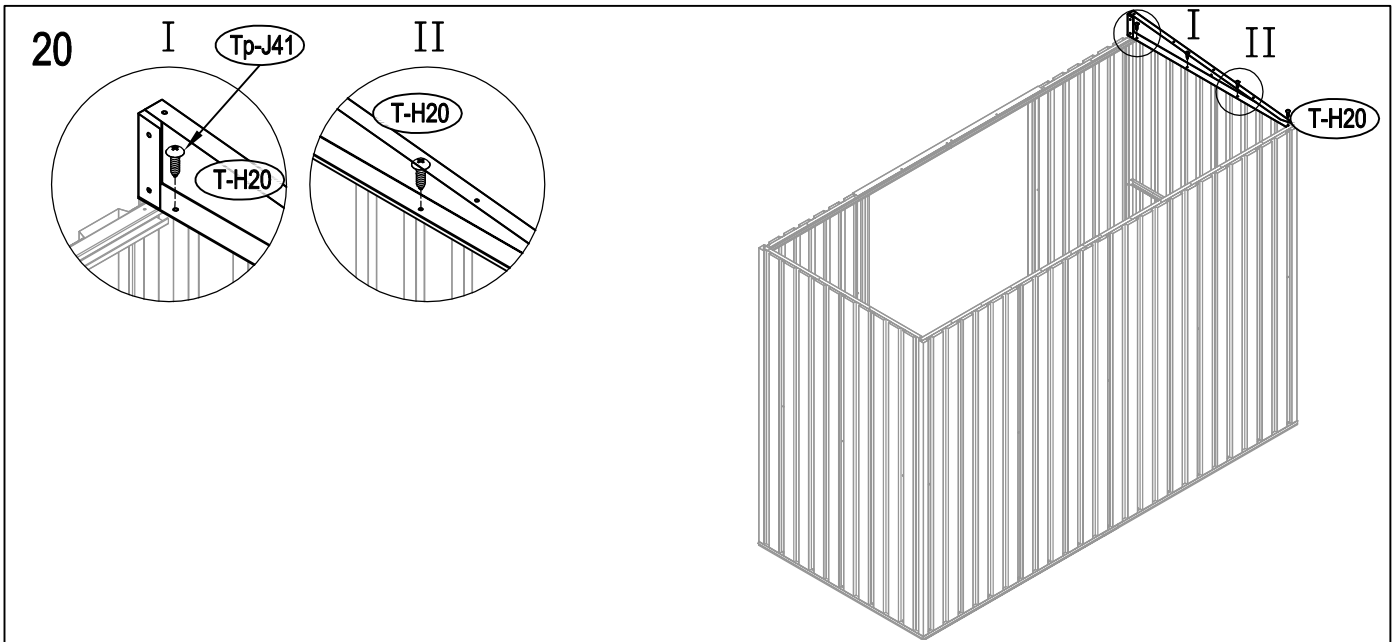
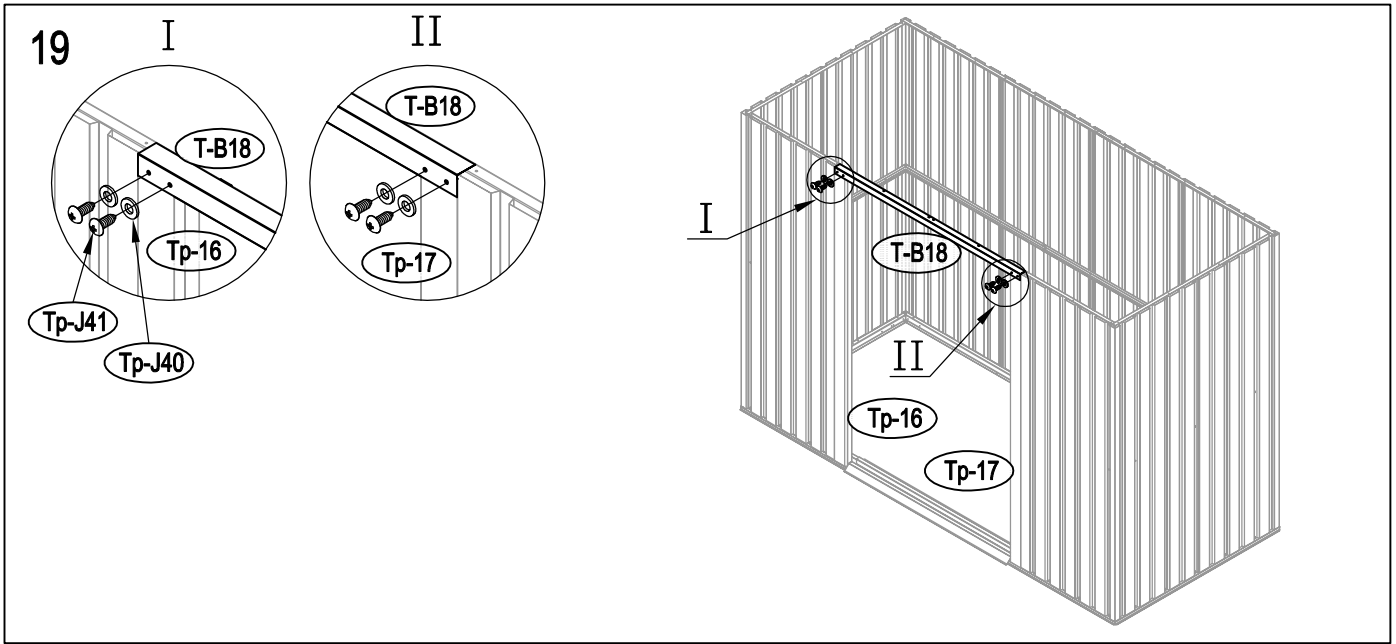
9



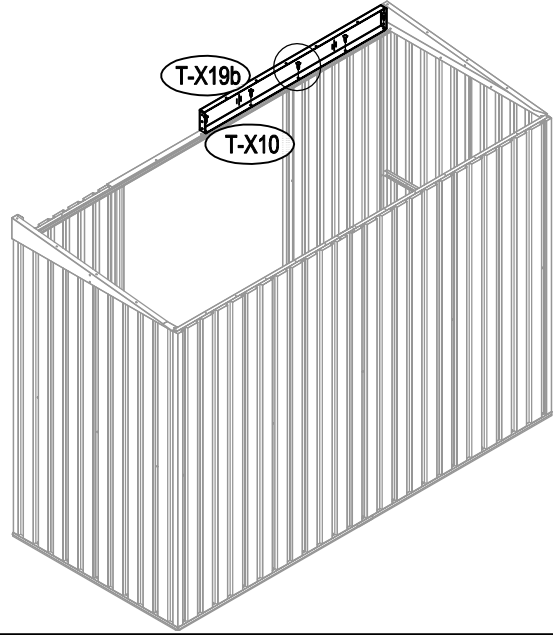
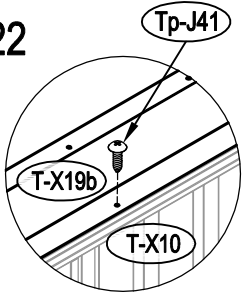




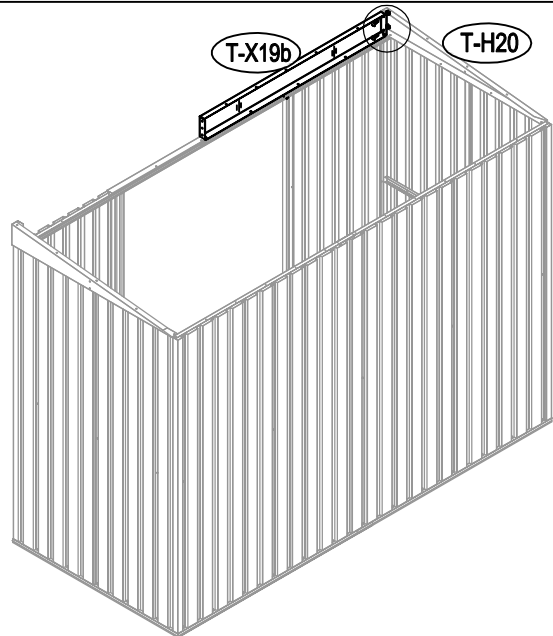
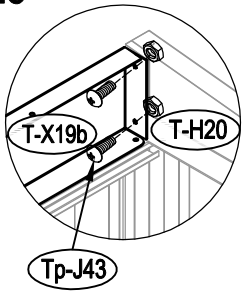




22



23



24

